

**LEGEND**

- xx.xx' EXISTING LENGTH
- PROPOSED SIDE CURB
- (     ) EXISTING ELEVATION/SLOPE
- PROPOSED SIDEWALK
- DETECTABLE WARNINGS
- SIDEWALK REMOVAL  
REPLACE W/TOPSOIL & SOD

MODEL: Default  
 FILE: \\blm\c:\p\Engineering\Live\Projects\2002\_01\1\_DJR\_Spanect\Work Order - S\CADD\CADD Sheets\Civil\ADA\_Ramps\162K88\sh-Roosevelt and IL 171.dgn



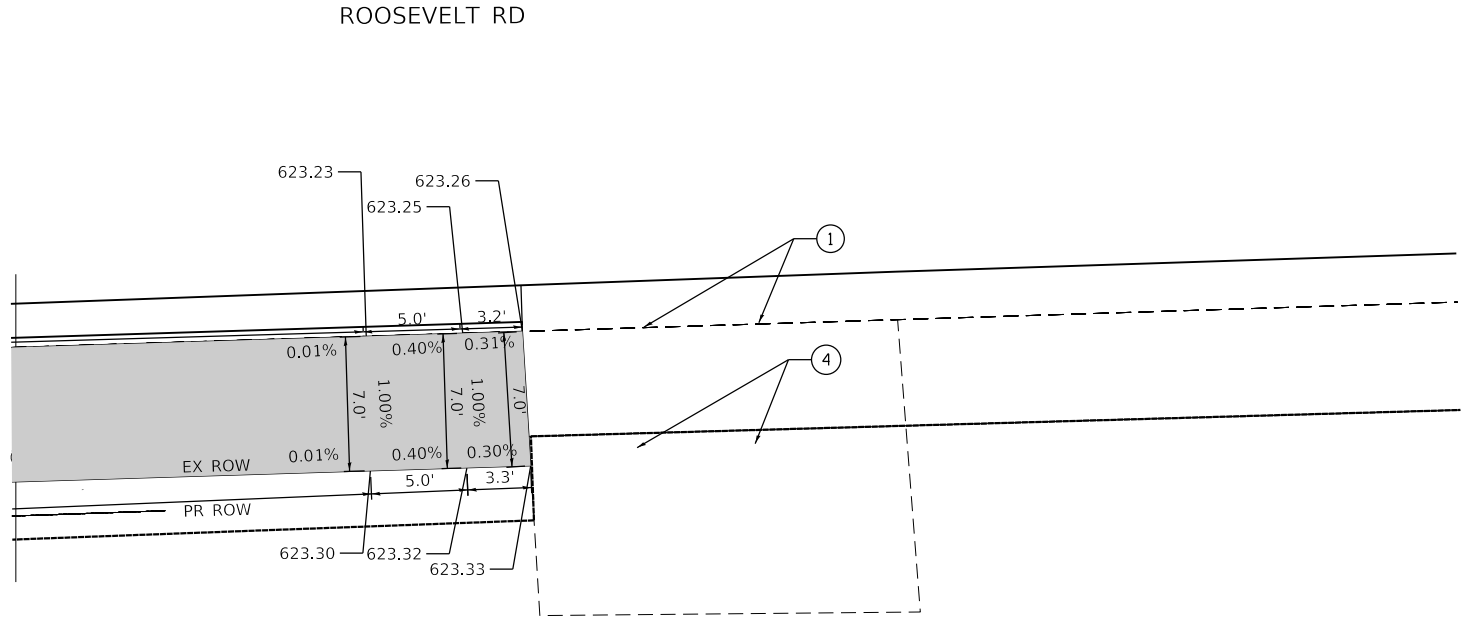
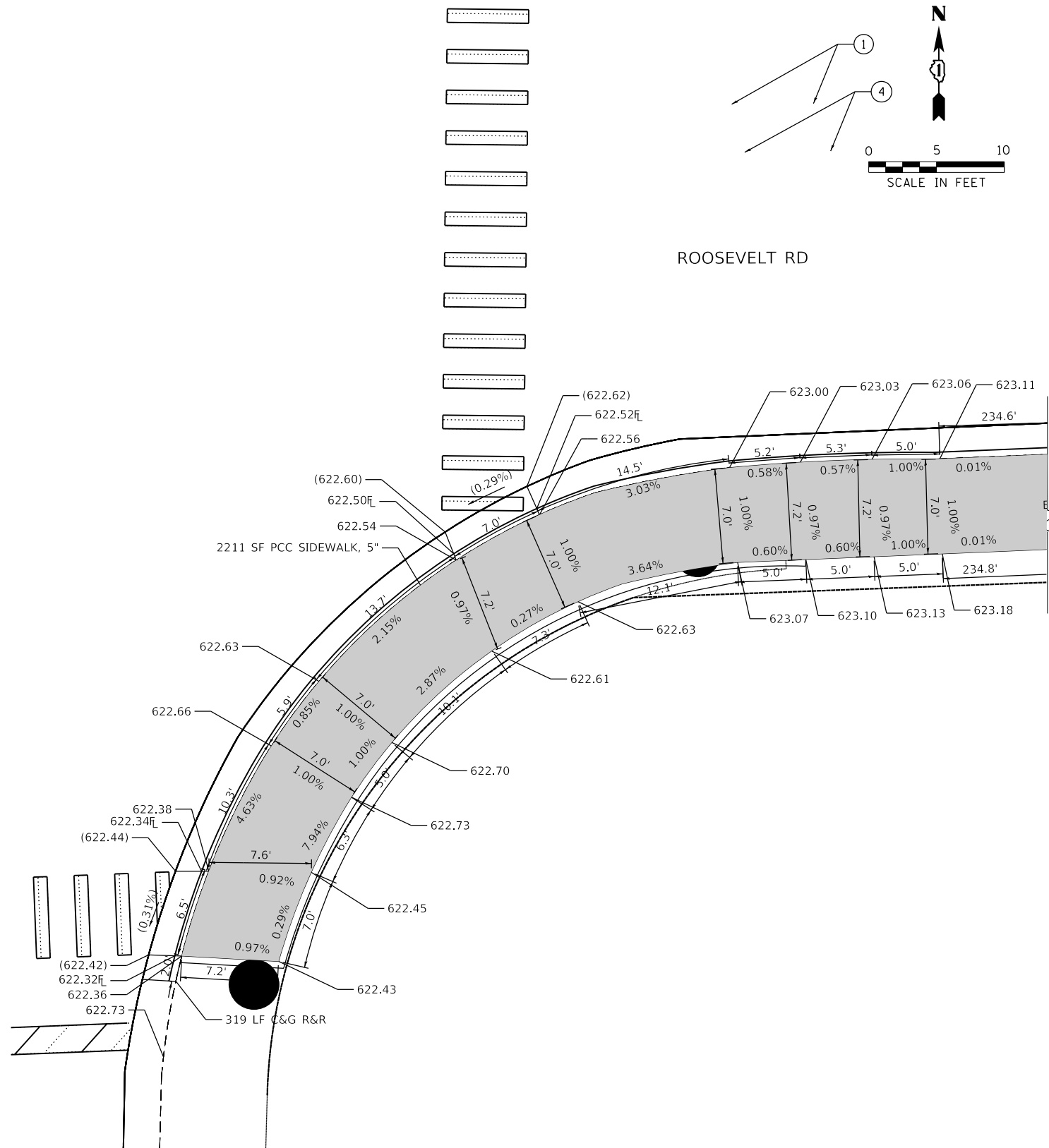
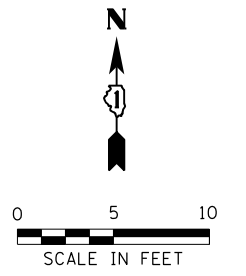
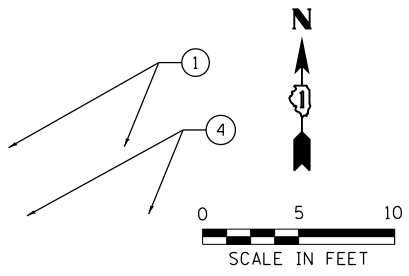
USER NAME = jschumann	DESIGNED - CR	REVISED -
	DRAWN - CR	REVISED -
PLOT SCALE = 20.0000' / in.	CHECKED - DH	REVISED -
PLOT DATE = 12/10/2020	DATE - 07-24-2020	REVISED -

**STATE OF ILLINOIS  
DEPARTMENT OF TRANSPORTATION**

**PLAN VIEW - FOREST PARK  
IL 171 AND ROOSEVELT RD**

SCALE:      SHEET      OF      SHEETS      STA.      TO      STA.

F.A.U. RTE.	SECTION	COUNTY	TOTAL SHEETS	SHEET NO.
VAR	2020-017-SW	COOK	10	10
CONTRACT NO.			62K88	
ILLINOIS		FED. AID PROJECT		



- PAVEMENT MARKING LEGEND**
- ① THERMOPLASTIC PAVEMENT MARKING- LINE 6" (CROSSWALK, WHITE)
  - ② THERMOPLASTIC PAVEMENT MARKING- LINE 12" (CROSSWALK, WHITE)
  - ③ THERMOPLASTIC PAVEMENT MARKING- LINE 24" (STOP BAR, WHITE)
  - ④ PAVEMENT MARKING REMOVAL- GRINDING
  - ⑤ PAVEMENT MARKING REMOVAL-WATER BLASTING

REFERENCE BENCHMARK ELEV 623.65  
 BENCHMARK : SET "X" CUT  
 LOCATION : IN NW ISLAND, 38.60 FT EAST OF LIGHT POLE

**LEGEND**

	EXISTING LENGTH		PROPOSED SIDEWALK
	PROPOSED SIDE CURB		DETECTABLE WARNINGS
( )	EXISTING ELEVATION/SLOPE		SIDEWALK REMOVAL REPLACE W/TOPSOIL & SOD

REFERENCE BENCHMARK ELEV 623.65  
 BENCHMARK : SET "X" CUT  
 LOCATION : IN NW ISLAND, 38.60 FT EAST OF LIGHT POLE

MODEL: Default  
 FILE NAME: C:\Engineering\Irrigation\Projects\2002\Ph1\DIR\_Spanect\Work Order 5\CADD\CADD Sheets\Civil\ADA\_Ramps\162K88-Rt-Roosevelt and IL 171 Detail.dgn



USER NAME = JENT	DESIGNED - CR	REVISED -
	DRAWN - CR	REVISED -
PLOT SCALE = 10.0000 ' / in.	CHECKED - DH	REVISED -
PLOT DATE = 12/10/2020	DATE - 07-24-2020	REVISED -

**STATE OF ILLINOIS  
 DEPARTMENT OF TRANSPORTATION**

**SIDEWALK RAMP DETAILS – FOREST PARK  
 IL 171 AND ROOSEVELT RD**

SCALE: SHEET OF SHEETS STA. TO STA.

F.A.U. RTE.	SECTION	COUNTY	TOTAL SHEETS	SHEET NO.
VAR	2020-017-SW	COOK	74	11
CONTRACT NO. 62K88				
ILLINOIS		FED. AID PROJECT		